

# SC9NK

## Column Type Load Cell

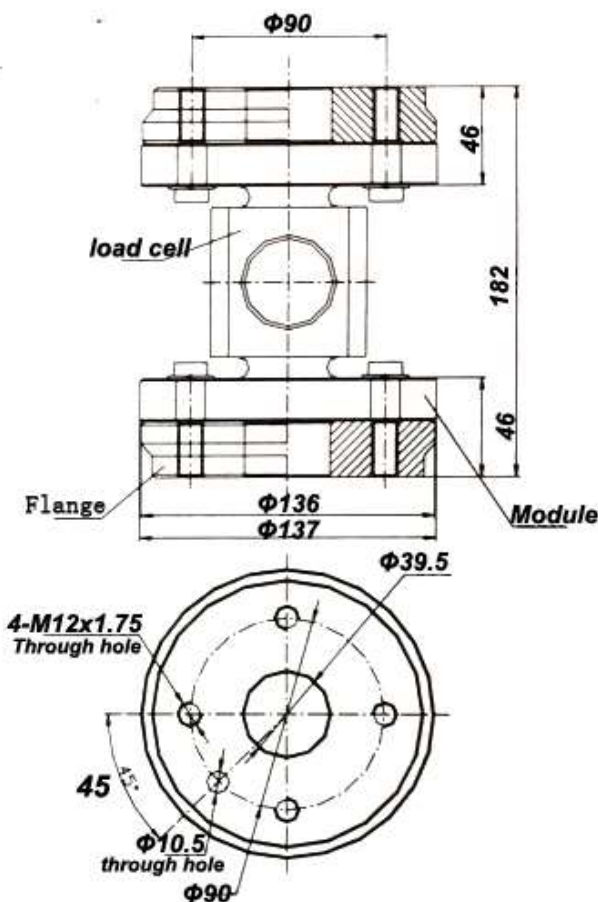


Application: Hopper scale, tank scale

### Specification:

Capacity	5T, 10T, 20T, 30T
Rated output	2.0±0.004mV/V
Accuracy class	0.05%/0.03%RO
Max. Verification intervals	2000Nmax
Min. Verification intervals	E <sub>max</sub> /5000V <sub>min</sub>
Combined error	≤± 0.05 %RO
Creep	0.02 %RO/30min
Temp. effect on sensitivity	0.0016%/RO/°C
Temp. effect on zero	0.0026%/RO/°C
Zero balance	±1.0 %RO
Input resistance	365±3 ohm
Output resistance	350±3 ohm
Insulation resistance	5000 MΩ(50V)
Excitation voltage	10~15V
Compensated temp. range	-10~+40°C
Operating temp. range	-35~+80 °C
Safe overload	120 %RO
Ultimate overload	150%RO
Load cell material	Alloy steel
Connecting cable	Φ5.7x8m

Size: mm



Wiring:

