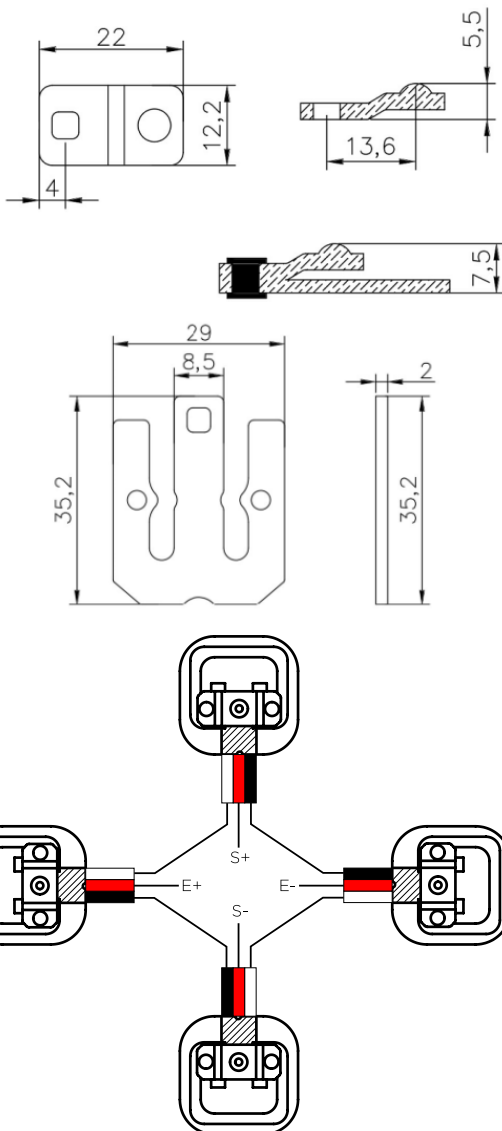


# SC929C

## Half Bridge Micro Load Cell



### Size: mm



### Specification:

|                                    |   |
|------------------------------------|---|
| <b>Capacity</b>                    | 10kg, 20kg, 50 kg   |
| <b>Accuracy</b>                    | 0.05%F·S  |
| <b>Rated output</b>                | 10kg 1.0 ± 0.15mV/V<br>20kg 0.7 ± 0.15mV/V<br>50kg 1.1 ± 0.15mV/V |
| <b>Creep</b>                       | ±0.05 %F·S/ 5min  |
| <b>Non-linearity</b>               | ±0.05 %F·S  |
| <b>Hysteresis error</b>            | ±0.05 %F·S  |
| <b>Repeatability</b>               | ±0.05 %F·S  |
| <b>Zero balance</b>                | ±0.5 mV/V   |
| <b>Temp. effect on sensitivity</b> | 0.1%F·S/10° C   |
| <b>Temp. effect on zero</b>        | 0.1%F·S/10° C   |
| <b>Compensated temp.</b>           | -10~+40° C  |
| <b>Input resistance</b>            | 500 ± 10 Ω  |
| <b>Output resistance</b>           | 1000 ±10 Ω  |
| <b>Insulation resistance</b>       | ≥ 2000 MΩ (100VDC)  |
| <b>Operating temp. range</b>       | -10~+40° C  |
| <b>Excitation voltage</b>          | 5~10 VDC  |
| <b>Size</b>                        | 35.2x29x7.5mm   |
| <b>Load cell material</b>          | Steel   |
| <b>Connecting cable</b>            | ∅0.8x420mm  |

**Wiring:**    **W: White**    **R: Red**    **B: Black**  
**E+: Excitation +**    **S+: Signal +**  
**E-: Excitation -**    **S-: Signal -**