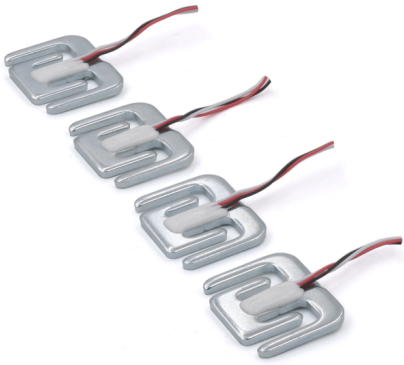
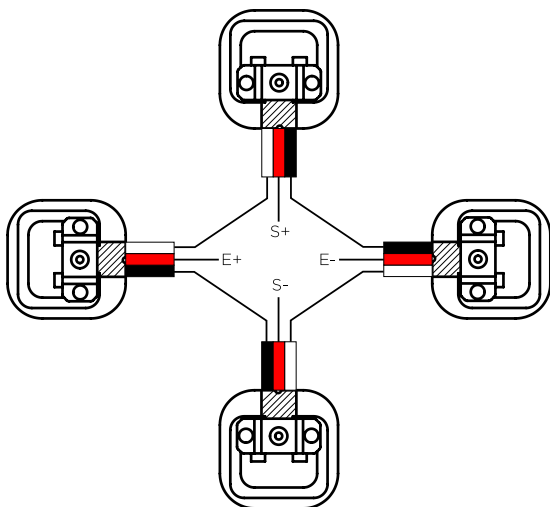
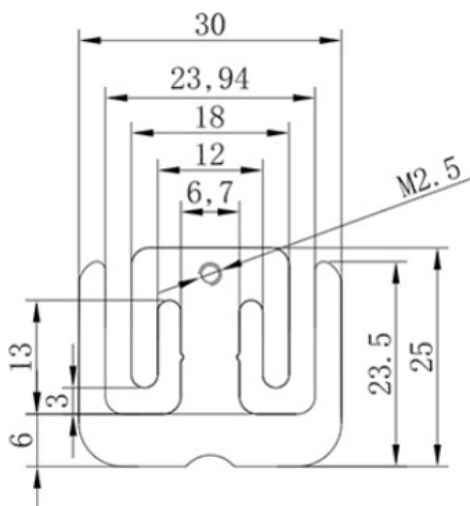


SC918

Half Bridge Micro Load Cell



Size: mm



Type: Half bridge load cell, 3 wire, 4 units per set.
Application: body scales, kitchen scales, baby body scales and other micro electronic weighing systems.

Specification:

Capacity	50kg, 75kg
Accuracy	0.2% F-S
Rated output	1.2 ± 0.2 mV/V
Creep	±0.2 %F·S/ 3min
Non-linearity	±0.2%F·S
Hysteresis error	±0.2%F·S
Repeatability	±0.2%F·S
Zero balance	±0.6 mV/V
Temp. effect on sensitivity	0.3%F·S/10°C
Temp. effect on zero	0.5%F·S/10°C
Compensated temp.	-10~+40°C
Input resistance	1000 ± 10 Ω
Output resistance	1000 ± 10 Ω
Insulation resistance	≥ 2000 MΩ (100VDC)
Operating temp. range	-10~+40°C
Excitation voltage	5~10 VDC
Size	35.2x29x7.5mm
Load cell material	Steel
Connecting cable	Ø0.8x420mm

Wiring: W: White R: Red B: Black
 E+: Excitation + S+: Signal +
 E-: Excitation - S-: Signal -