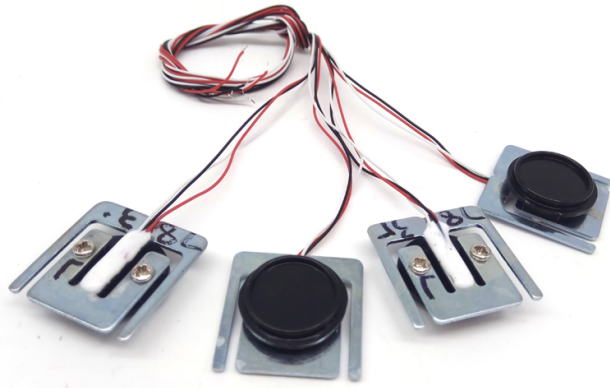


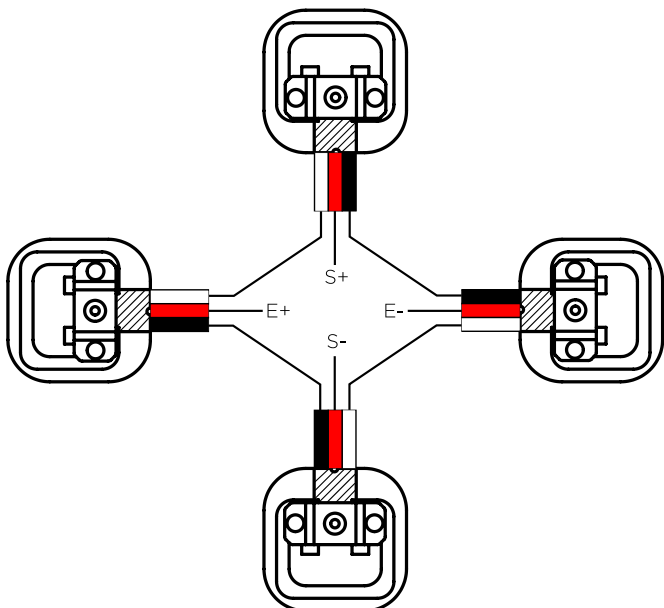
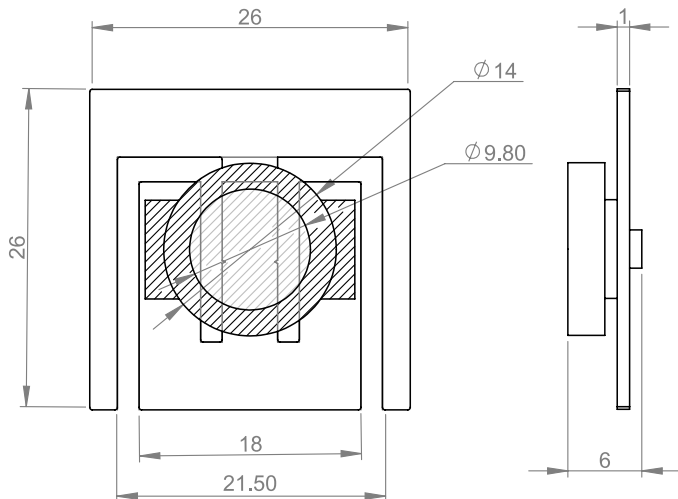
# SC913A

## Micro Type Load Cell



Type: Half bridge load cell, 3 wire, 4 units per set.  
Application: Kitchen scale and micro force test equipment.

Size: mm



### Specification:

Capacity	3kg,5kg
Accuracy	0.15%F-S
Zero output	±0.5mV/V
Rated output	1.0 ± 0.15 mV/V 1.5 ± 0.15 mV/V
Creep	±0.05 %F-S/3min
Non-linearity	±0.1 %F-S
Hysteresis error	±0.05 %F-S
Repeatability	±0.05 %F-S
Temp. effect on sensitivity	0.1%F-S/10° C
Temp. effect on zero	0.1%F-S/10° C
Input resistance	500±10 Ω
Output resistance	500±10 Ω
Insulation resistance	≥ 2000 MΩ
Operating temp. range	-10~+40° C
Excitation voltage	5~ 10 VDC
Ultimate overload	150%F-S
Four corner error	0.05% F-S
Load cell material	Steel
Connecting cable	Φ0.8x300mm
Unit weight	21g/set
Package	200 sets per carton

Wiring:    W: White    R: Red    B: Black  
             E+: Excitation +    S+: Signal +  
             E-: Excitation -    S-: Signal -