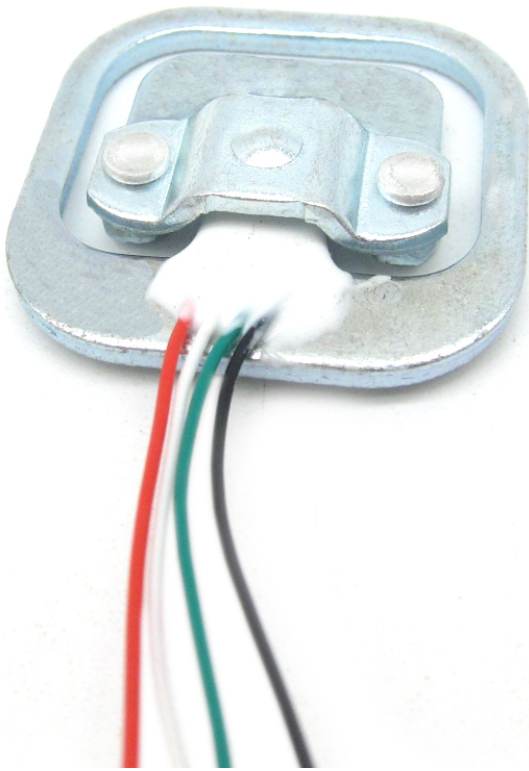


SC902

Full Bridge Micro Load Cell

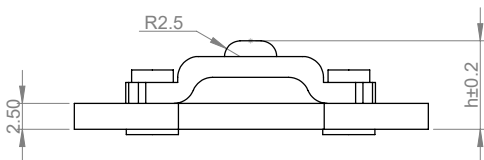
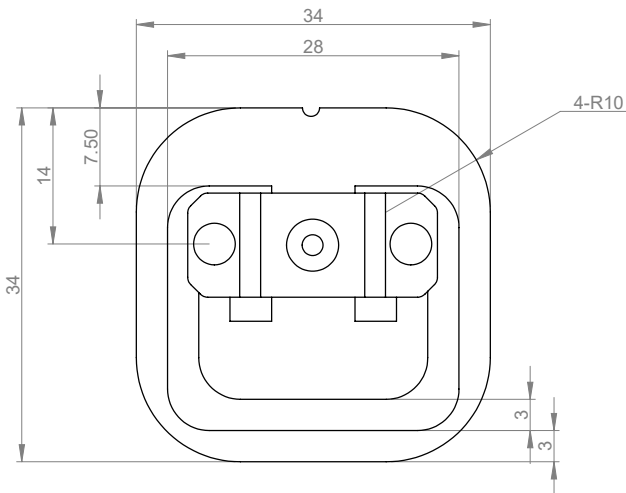


Type: Full bridge load cell, 4 wire, 1 unit per set.
Application: Kitchen scale, body scale, baby scale, micro force test equipment.

Specification:

Capacity	10kg-50kg
Zero output	$\pm 0.5\text{mV/V}$
Accuracy	0.3% F·S
Rated output	10kg: $0.7 \pm 0.15\text{mV/V}$
	50kg/75kg: $1.0 \pm 0.15\text{mV/V}$
	100kg: $1.3 \pm 0.15\text{mV/V}$
Non-linearity	0.2% F·S
Hysteresis	0.2% F·S
Repeatability	0.1% F·S
Creep	0.1%FS/3min
Input resistance	$1000 \pm 10\Omega$
Output resistance	$1000 \pm 10\Omega$
Insulation resistance	$\geq 2000\text{M}\Omega$
Excitation voltage	3~10VDC
Operating temp. range	$-10 \sim +40^\circ\text{C}$
Temp effect on zero	0.3% F·S / 10°C
Temp effect on span	0.3% F·S / 10°C
Ultimate overload	150%
Connecting cable	280mm or 1000mm
Unit weight	25g/unit
Package	200 sets per carton

Size: mm



Capacity(kg)	h
10	6.8
50	7.8
75	8.3
100	

Wiring

