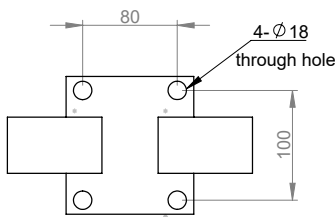
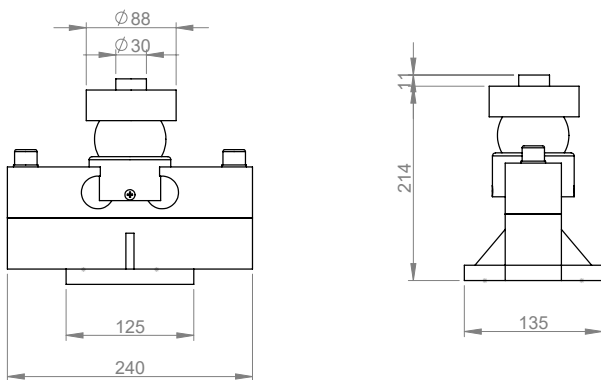


## Bridge Type Load Cell

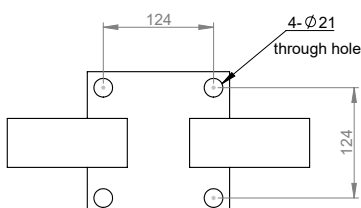
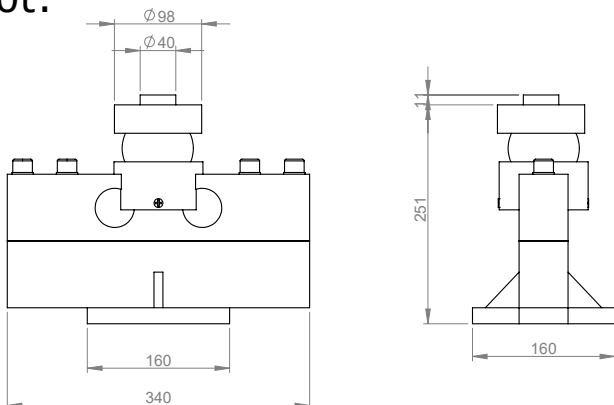


**Size: mm**

10~40t:



50t:



**Accessory:** Ball and cup.

**Application:** Weighbridge, on board weighing and stationary application.

**Optional:** Explosion proof.

### Specification:

<b>Capacity</b>	10T, 20T, 25T, 30T, 40T, 50T
<b>Rated output</b>	2.0±0.004mV/V
<b>Accuracy class</b>	C1:0.05%F·S C2:0.03%F·S
<b>Combined error</b>	≤± 0.03%F·S
<b>Creep</b>	0.03%F·S/30min
<b>Temp. effect on sensitivity</b>	0.003%F·S/°C
<b>Temp. effect on zero</b>	0.003%F·S/°C
<b>Zero balance</b>	±1.0%F·S
<b>Input resistance</b>	750±3 Ω
<b>Output resistance</b>	700±5 Ω
<b>Insulation resistance</b>	5000 MΩ(50V)
<b>Excitation voltage</b>	5~18V
<b>Compensated temp. range</b>	-10~+40°C
<b>Operating temp. range</b>	-30~+70°C
<b>Safe overload</b>	150%F·S
<b>Ultimate overload</b>	250%F·S
<b>Load cell material</b>	Alloy steel
<b>Connecting cable</b>	10-20T: Φ6.3x12m 25-30T: Φ6.3x16m 40-50T: Φ6.3x18m

### Wiring

