

SC639M

Micro Type Load Cell

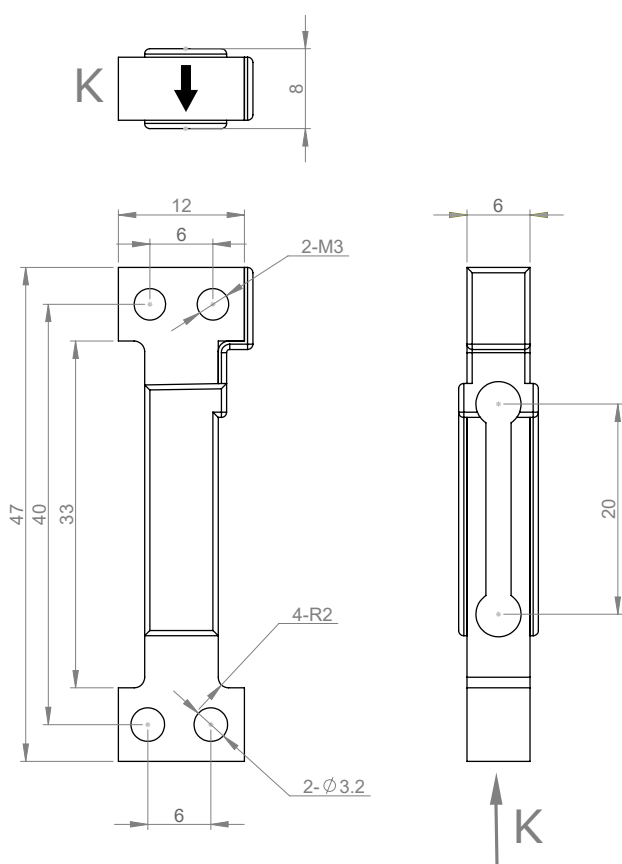


Application: body scales, hand scales, kitchen scales, postal scales, fishing scales and other microelectronic weighing systems.

Specification:

Capacity	100g-750g, 1kg, 2kg
Output sensitivity	100-200g: 0.6±0.15 mV/V 300-750g: 0.7±0.15 mV/V 1000g/2000g: 1.0±0.15 mV/V
Non-linearity	0.03 %F·S
Repeatability	0.03 %F·S
Hysteresis	0.03 %F·S
Creep	0.03%F·S/3min
Zero output	± 0.1 mV/V
Temp. effect on zero	0.03%F·S/10° C
Temp. effect on Span	0.03 %F·S/10° C
Input Resistance	1090 ± 10 Ω
Output Resistance	1000 ± 10 Ω
Insulation Resistance	≥ 2000 MΩ
Excitation voltage	5~10VDC
Operating temp. range	-10~+50° C
Four corner error	± 0.05% F·S
Safe overload	120% F·S
Ultimate overload	150% F·S
Material	Aluminum alloy
Connecting cable	0.8x100mm
Unit weight	6g/unit
Package	500 units / carton

Size: mm



Wiring

