

SC516

S Type Load Cell

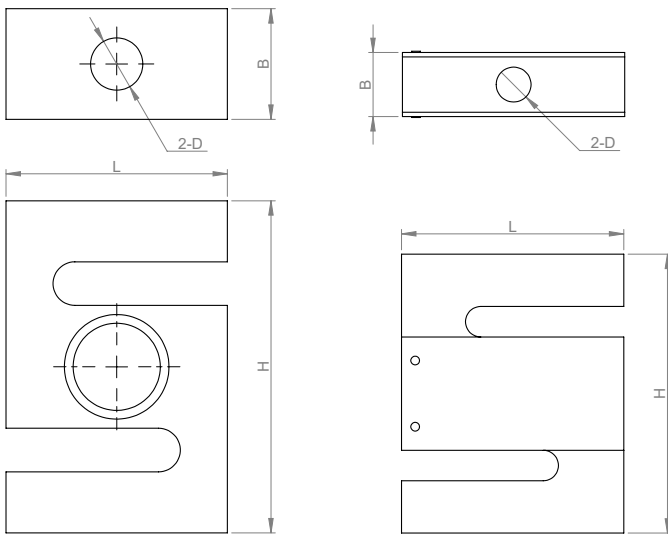


Application: Hanging scale, vibratory feeding equipment.

Specification:

Capacity	20-30kg, 50-750kg, 1T, 1.5T, 2-3T, 5T, 7.5T, 10T, 20T, 30T
Rated output	2.0±0.004 mV/V
Accuracy class	C1:0.05% F-S C2:0.03% F-S
Combined error	±0.03% F-S
Creep	0.02% F-S/30min
Temp. effect on sensitivity	0.003% F-S/°C
Temp. effect on zero	0.005% F-S/°C
Zero balance	±1.0% F-S
Input resistance	365±5 Ω
Output resistance	350±3 Ω
Insulation resistance	≥5000 MΩ(50V)
Excitation voltage	10~15 VDC
Compensated temp. range	-10~+40°C
Operating temp. range	-35~+80°C
Safe overload	150% F-S
Ultimate overload	200% F-S
Load cell material	Alloy steel Stainless steel
Connecting cable	20kg-2tΦ5.7x3.5m 2.5-30tΦ5.7x6m

Size: mm



750kg-3t

20-500kg

Capacity	L	H	B	D
20~30kg	51	64	12.7	M8X1.25
50~750kg	50.8	76.2	19.05	M12X1.75
750kg	50.8	76.2	19.05	M12X1.75
1t	50.8	76.2	25.4	M12X1.75
1.5t	50.8	76.2	25.4	M16X1.5
2t-3t	76.2	108	31.8	M20X1.5
5t	76.2	108	36.98	M24X2
7.5t	100	139.7	36.98	M24X2
10t	125.5	177.8	50.8	M30X2
20t	140	170	81	M42X3
30t	190	230	80	M42X3

Wiring

