

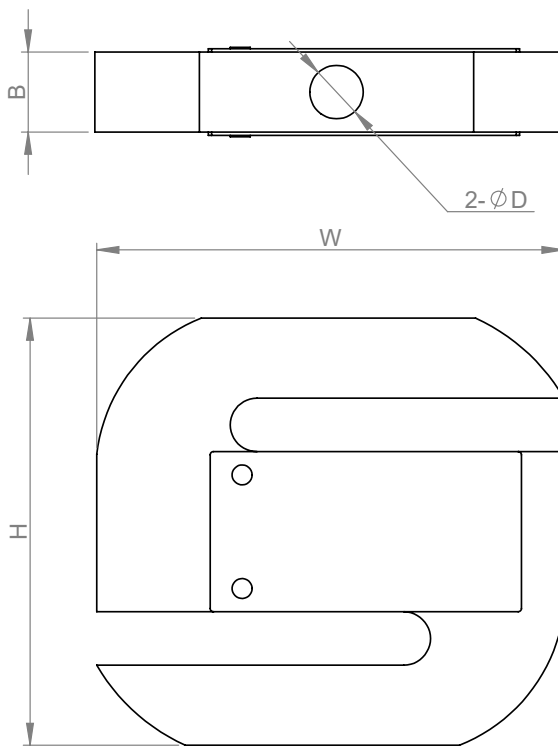
SC512

S Type Load Cell



Application: Crane scale, hanging scale.

Size: mm



Capacity(kg)	D	B	W	H
20,50,75,100,150	M8X1.25	12	70	64
200,250,300,500	M12X1.75	20	70	64
1000	M12X1.75	25	70	64
2000,2500	M20X2.5	32	90	90
3000,5000	M20X2.5	32	90	90

Specification:

Capacity	20kg, 50kg, 75kg, 100kg,150kg, 200kg, 250kg, 300kg, 500g, 1000kg
Rated output	2.0±0.002 mV/V
Accuracy class	C1:0.05% F·S C2:0.03% F·S
Combined error	≤± 0.030% F·S
Creep	0.03% F·S/30min
Temp. effect on sensitivity	0.002% F·S/°C
Temp. effect on zero	0.003% F·S/°C
Zero balance	±1.0% F·S
Input resistance	365±10 Ω
Output resistance	352±5 Ω
Insulation resistance	≥5000 MΩ(50V)
Excitation voltage	10~15VDC
Compensated temp. range	-10~+40°C
Operating temp. range	-35~+80°C
Safe overload	150% F·S
Ultimate overload	200% F·S
Load cell material	Alloy steel
Connecting cable	Φ5.7x3.5m

Wiring

