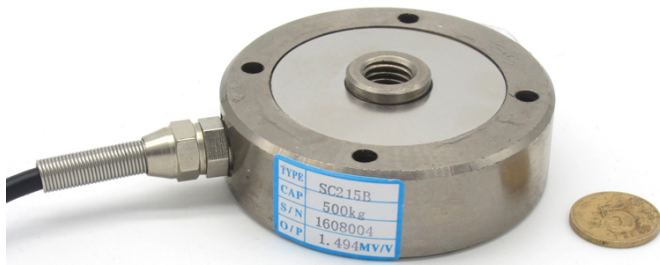


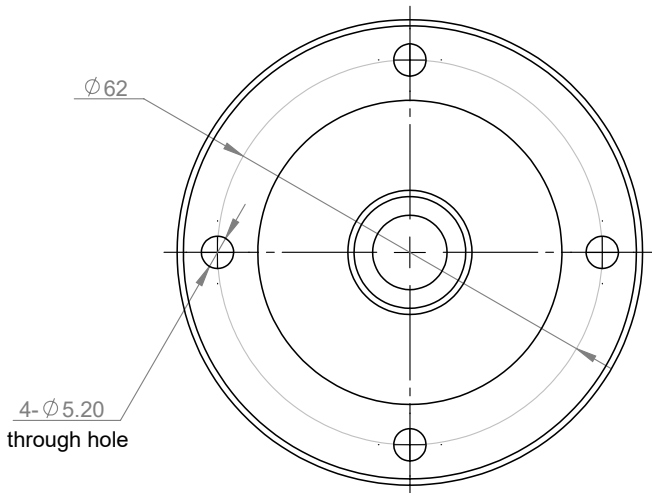
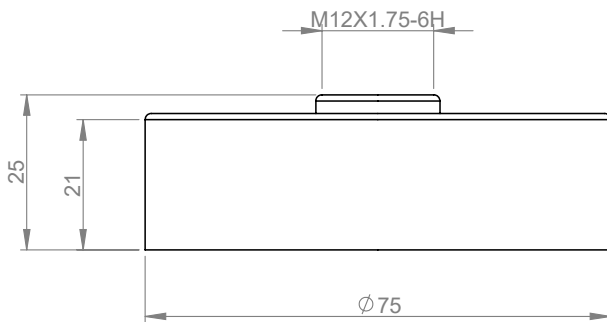
SC215B

Pancake Type Load Cell



Application: Electronic weighing truck scales, silo scale, tank scale, mixer scale, hopper scales.

Size: mm



Specification:

Capacity	100kg, 200kg, 300kg, 500kg, 1000kg
Rated output	2.0±0.05 mV/V
Accuracy class	C1:0.05% F-S C2:0.03% F-S
Temp. effect on sensitivity	0.0016% F-S/°C
Temp. effect on zero	0.002% F-S/°C
Input resistance	725±10 Ω
Output resistance	700±5Ω
Excitation voltage	8~15V
Compensated temp. range	-10~+40° C
Operating temp. range	-35~+80° C
Load cell material	Alloy steel
Connecting cable	Φ5.0mmx3.5m

Wiring

