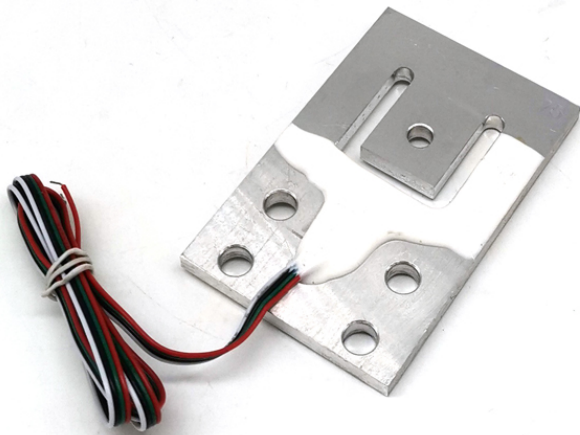


SC135

Micro Type Load Cell



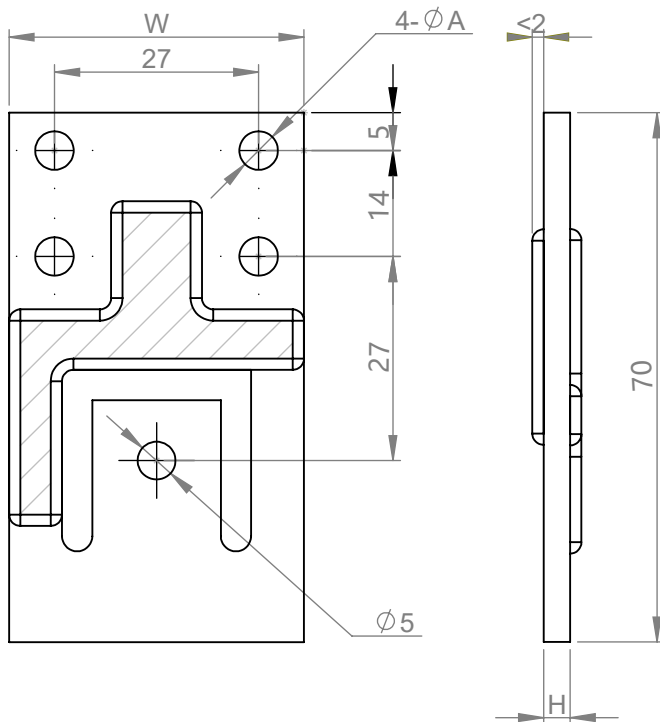
Features: Very low profile, anodized aluminum alloy.

Application: Low profile platform scale, adult medical scale, personal scale, airport baggage scale, beehive scale, etc.

Specification:

Capacity	30kg, 75kg, 150kg, 300kg
Accuracy class	0.05% F-S
Rated output	(1.0-2.0) ± 10% mV/V
Zero balance	±0.1 mV/V
Creep	±0.05 % F-S/2min
Non-linearity	±0.05 % F-S
Hysteresis error	±0.05 % F-S
Repeatability	±0.05 % F-S
Temp. effect on output	±0.05% F-S/10° C
Temp. effect on zero	±2% F-S/10° C
Input resistance	1130 ± 20 Ω
Output resistance	1000 ± 10 Ω
Insulation resistance	≥ 2000 MΩ
Excitation voltage	≤ 10 VDC
Operating temp. range	-10° C ~ +40° C
Safe overload	150 % F-S
Connecting cable	Φ8x150mm
Unit weight	45g/unit
Load cell material	Aluminum alloy

Size: mm



Capacity(kg)	Ø A	H	W
30	5.1	3.50	39
75	6.1	4.52	45
150	6.1	5.50	45
300	6.1	7.75	45

Wiring

