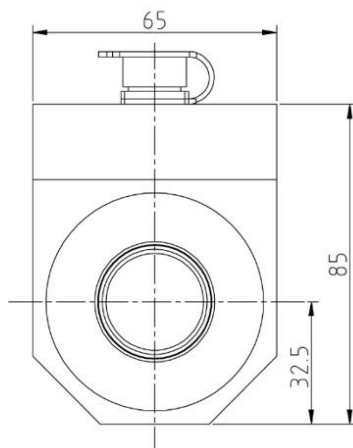
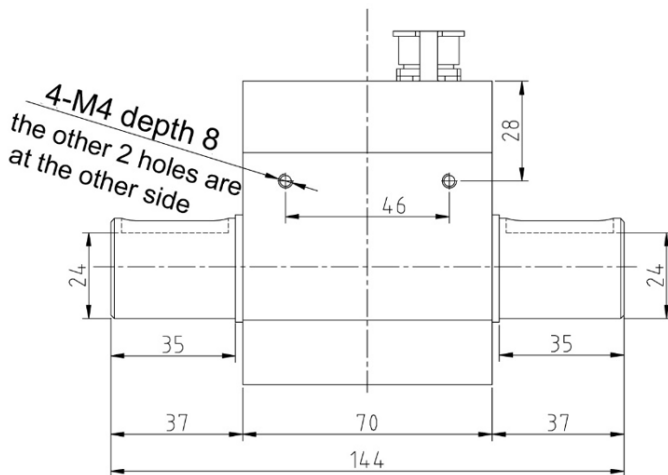


# ZHKY2050B

## Dynamic Rotary Torque Sensor



Size: mm



Type: Non-Contact Torque Sensor

Application: Rotating system, engine, crankshaft, gearbox, transmission, rotor, bicycle crank cap torque tester.

Optional: On-board display

### Specification:

Torque capacity	200N.m, 300N.m, 500N.m
Excitation voltage	Default: $\pm 15$ VDC (frequency out) Option: 24VDC (voltage/current out)
Torque signal output	Default: 5~15kHz (12V, 10kHz Zero) Option: 4~20mA, 1~5V, 0-10V, $\pm 10$ V
Speed range	0~8000 RPM (Varies with capacity)
Speed signal output	Default: Pulse TTL Option: 4-20mA, 0-10V
Sampling frequency	200 samples/second
Accuracy	$\pm 0.5\%$ F-S (Default) $\pm 0.3\%$ F-S (Optional) $\pm 0.1\%$ F-S (Optional)
Operating temp. range	0 ~ 50°C
Compensated temp. range	0 ~ 50°C
Safety overload	200%F-S
Material	Aluminum body Stainless steel shaft
Cable length	5 m with 8pin Connector
Cable connection	Red: Exc + Black: Exc - Green: Signal + White: Signal - (Varies with output type)