

ZHKY2050A

Dynamic Rotary Torque Sensor

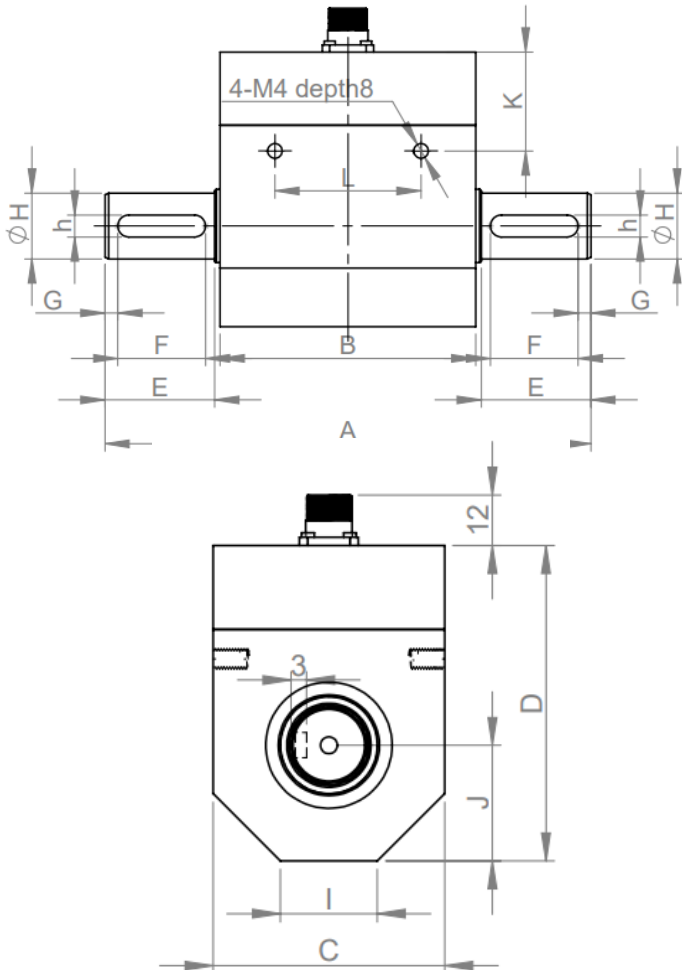


Torque sensor
 Model: ZHKY2050A5 Capacity: $\pm 5N.m$
 Output: $\pm 5V$ Power: 24VDC
 Accuracy: $\pm 0.3\%FS$ Serial No: T19110049
 Sensor and Control CO., Ltd

Type: Non-Contact Torque Sensor.

Application: Rotating system, engine, crankshaft, gearbox, transmission, rotor, bicycle crank, cap torque tester.

Size: mm



Specification:

Torque capacity	5N.m~500N.m
Excitation voltage	Default: ± 15 VDC (frequency out) Option: 24VDC (voltage/current out)
Torque signal output	Default: 5~15kHz (12V, 10kHz Zero) Option: 4~20mA, 1~5V, 0-10V, $\pm 10V$
Speed range	0~8000 RPM (Varies with capacity)
Speed signal output	Default: Pulse TTL Option: 4-20mA, 0-10V
Sampling frequency	200 samples/second
Accuracy	Default: $\pm 0.2\%$ Option: $\pm 0.1\%$
Operating temp. range	-20 ~ 80°C
Compensated temp. range	-10 ~ 60°C
Safety overload	200%F.S
Material	Aluminum Body Stainless steel shaft
Cable length	5 m with 8pin Connector
Cable connection	Red: Exc + Black: Exc - Green: Signal + White: Signal - (Varies with output type)

Capacity	A	B	C	D	E	F	G	H	h	I	J	K	L
5~100	133	70	55	75	30	24	3.5	18	6	23	27.5	27	40
200~500	144	70	65	85	35	30	3	28	8	29	32.5	28	46