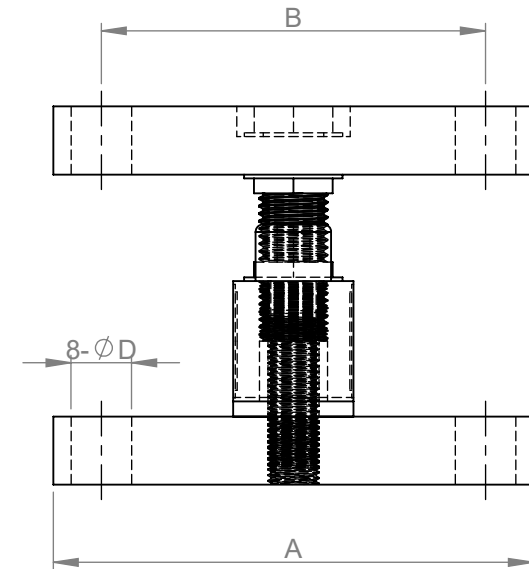
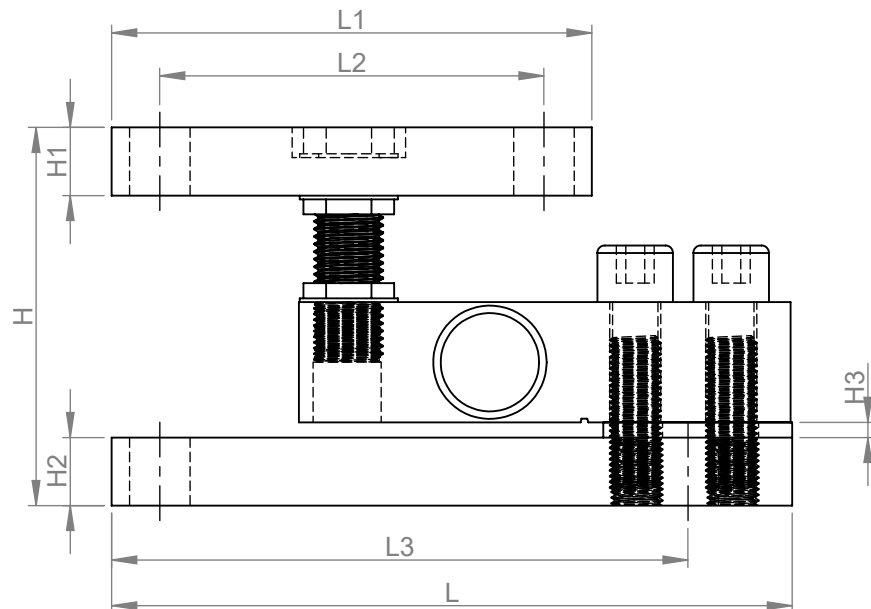
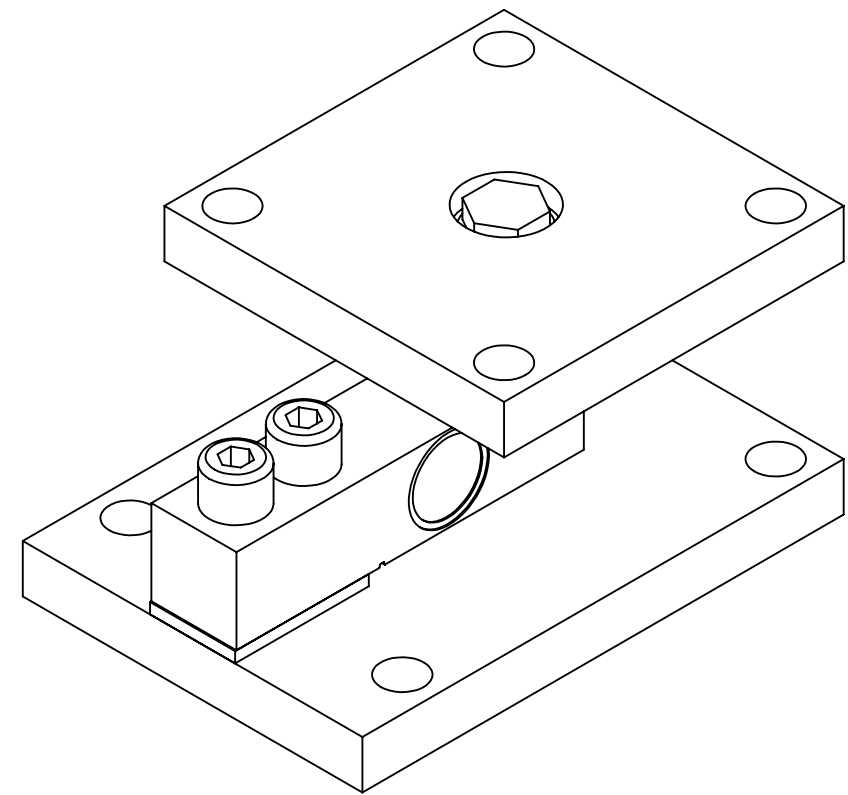



Capacity	L	L1	L2	L3	H	H1	H2	H3	A	B	∅ D
0.1-3t	180.9	127	101.6	152.4	100~115	18	18	4.0	127	101.6	16
5t	215.9	127	101.6	177.8	130~145	26	26	5.0	127	101.6	16



TITLE:	SC8320CM		NAME	DATE	 BUILDING 8, LIXIANG KEWANG INDUSTRIAL PARK, 35 GUANLAN BLVD LONGHUA, SHENZHEN, CHINA 518110
DWG NO.	R1	DRAWN	AS	2021-05-27	
DIMENSION	mm	APPV'D			