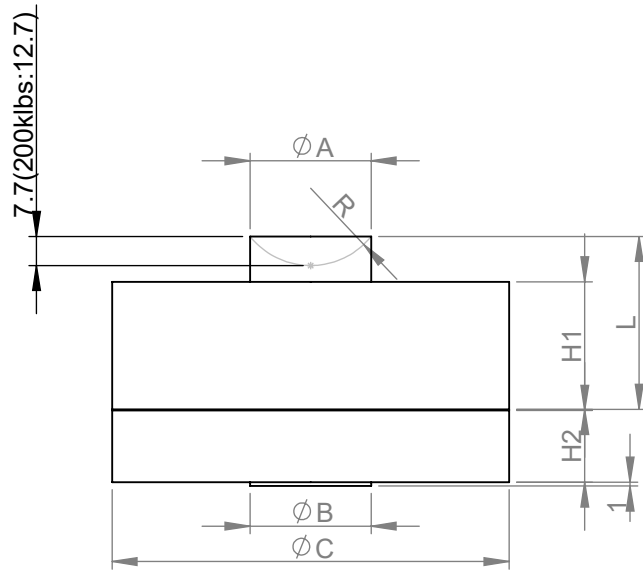
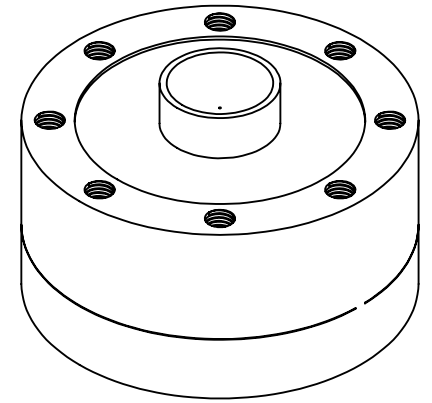
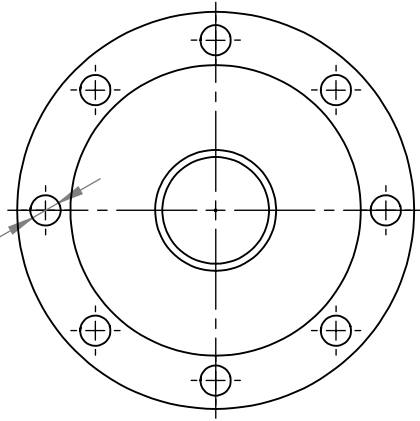



8-M8(10)
 100klbs:M10
 200klbs:M12



Capacity		A	R	L	H1	H2	C	B
5-10klbs	2-5t	32	16	46	34	19	105	32
25-50klbs	10-25t	40.6	22.2	53	47	19	121	32
100klbs	50t	51	22.6	57.6	51	29	141	32
200klbs	100t	76	44.2	83	70	42	200	51

TITLE:	SC218		NAME	DATE	 BUILDING 8, LIXIANG KEWANG INDUSTRIAL PARK, 35 GUANLAN BLVD LONGHUA, SHENZHEN, CHINA 518110
DWG NO.	R1	DRAWN	AS	2021-01-22	
DIMENSION	mm	APPV'D			