

# SC134

## Full Bridge Micro Load Cell

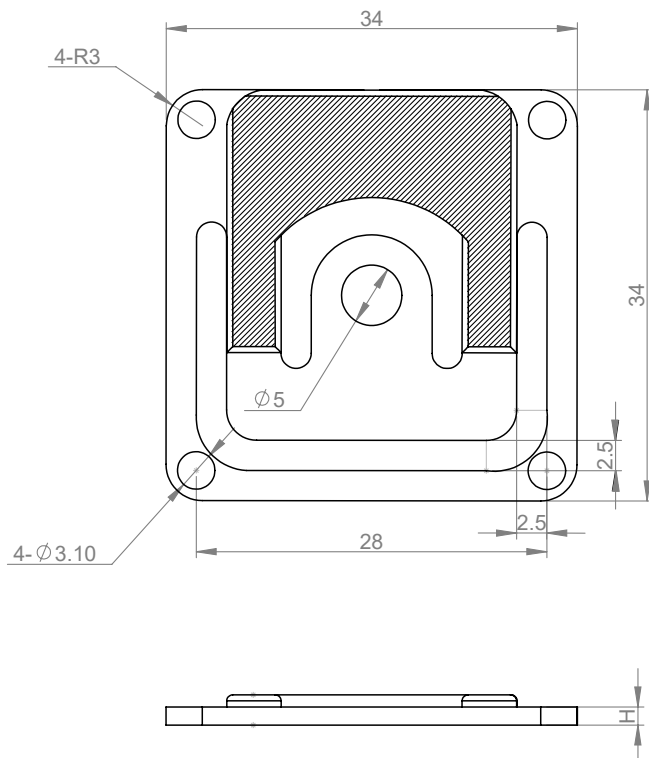


**Type:** Full bridge load cell, 4 wire, 1 unit per set.  
**Application:** Kitchen scale, body scale and other weighing devices.

### Specification:

<b>Rated capacity</b>	10kg,30kg,50kg
<b>Accuracy</b>	0.05% F·S
<b>Zero balance</b>	±0.3mV/V
<b>Output sensitivity</b>	1.0±0.2mV/V
<b>linearity</b>	0.05% F·S
<b>Repeatability</b>	0.05% F·S
<b>Hysteresis error</b>	0.05% F·S
<b>Creep</b>	0.05% F·S /3min
<b>Temp. effect on span</b>	±0.1% F·S /10° C
<b>Temp. effect on zero</b>	±0.1% F·S /10° C
<b>Input resistance</b>	1000±10Ω
<b>Output resistance</b>	1000±10Ω
<b>Insulation resistance</b>	≥2000MΩ
<b>Excitation voltage</b>	5~10VDC
<b>Operating temp. range</b>	-10~+40° C
<b>Defend grade</b>	IP66
<b>Connecting cable</b>	Φ8x200mm
<b>Unit weight</b>	12g /unit
<b>Material</b>	Alloy steel
<b>Ultimate overload</b>	150% F·S

### Size: mm



Capacity(kg)	10	30	50
H	1.5	2.0	2.5

### Wiring

